

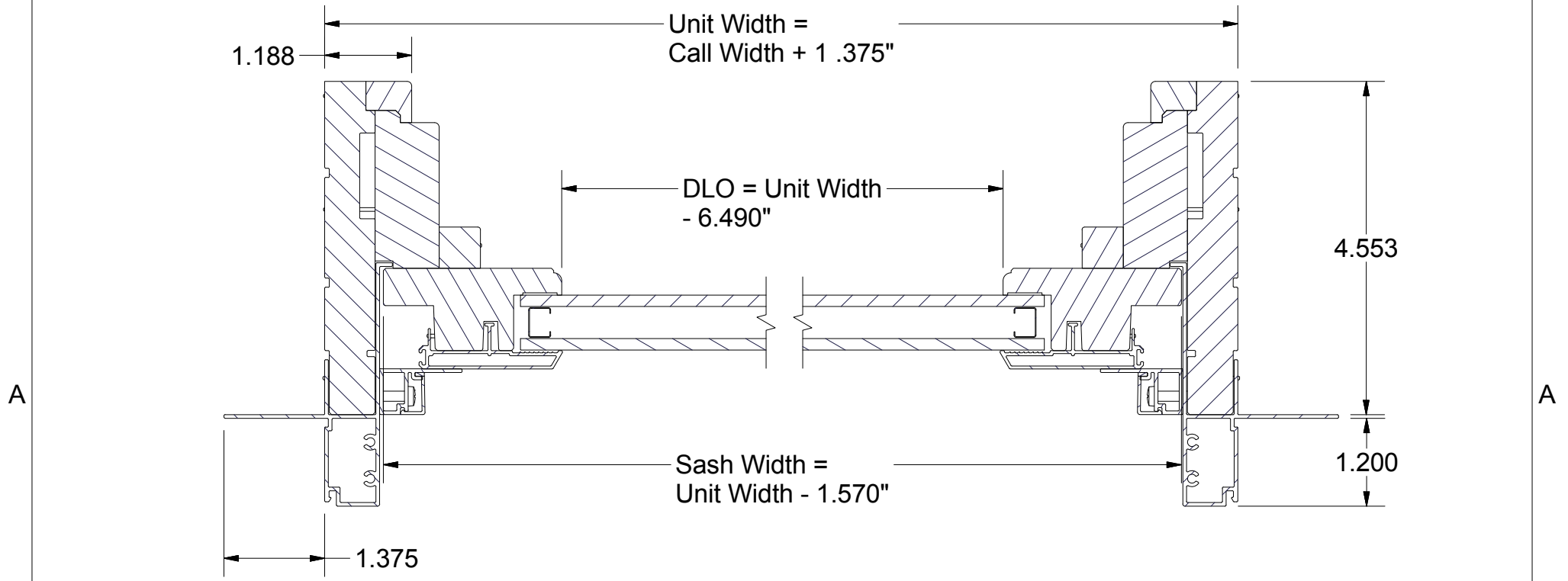
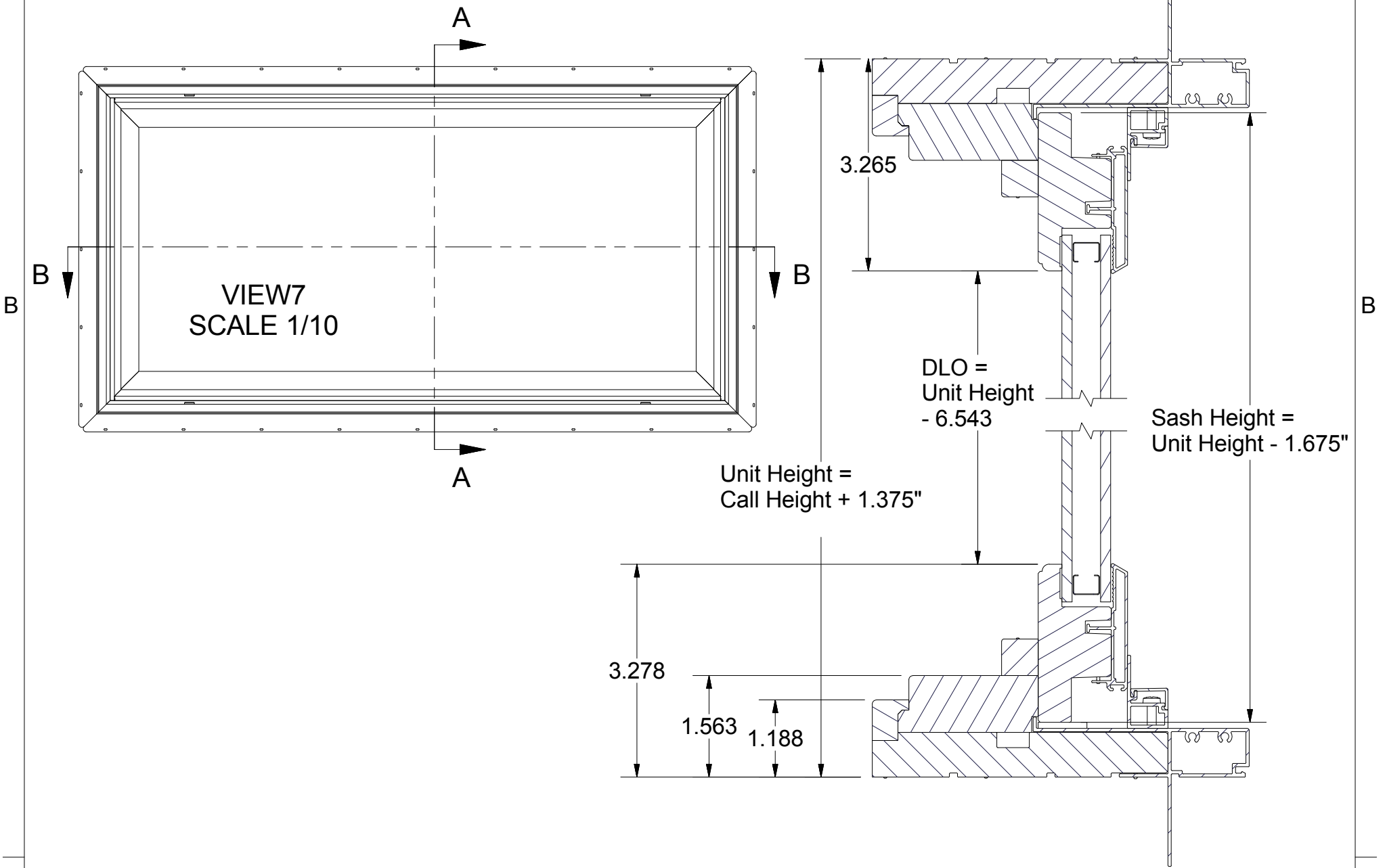
4

3

2

1

### SECTION A-A SCALE 1 / 2



### SECTION B-B SCALE 1 / 2



Tolerances Unless Otherwise Specified. All Dimensions originate at sharp corners unless indicated.  
 X.XXX ± 0.005, X.XX ± 0.015  
 FRACTIONAL ± 1/64"  
 ANGLES ± 1.0°  
 FLATNESS ± 0.020 per ft.  
 NOTE: BOXED/CIRCLED DIMS ARE CRITICAL

The information contained herein is PROPRIETARY to and considered a TRADE SECRET of Ply Gem Window Group, a Roanoke, VA based firm, and shall not be reproduced in whole or in part without the written authorization of Ply Gem Window Group.

A	10-253	Initial Release	8-20-10	SAS	
REV.	ECO	REVISION	DATE	BY	

DWG. FILE NAME: EMRDHTN1000.idw		
SCALE: B	DRAWN BY: B MYRICK	REV. A
SHEET SIZE: B	DATE: 1/25/2008	
DESCRIPTION: Cross-Section, Double Hung Sash and Frame Transom		

4

3

2

1