

4

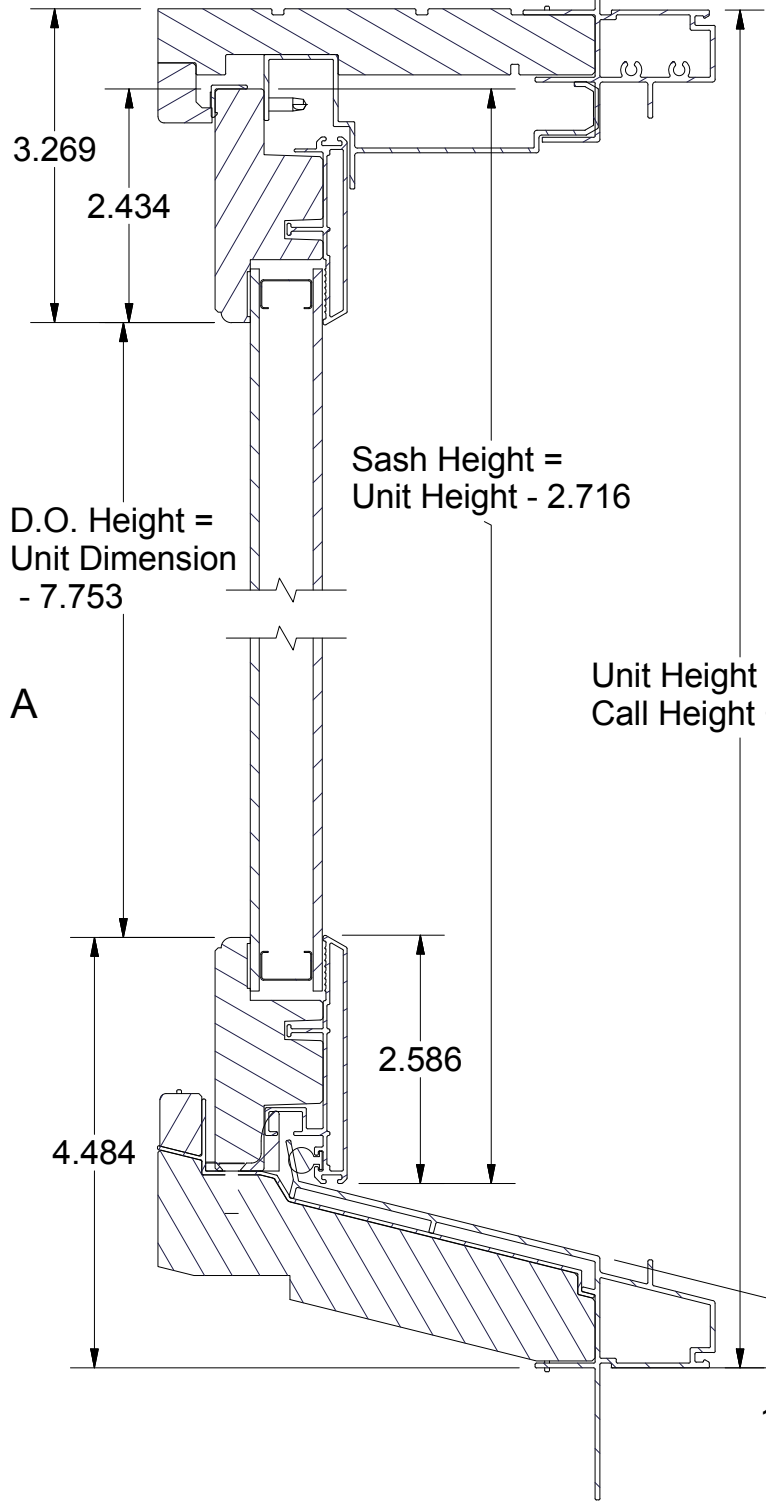
3

2

1

B

SECTION B-B
SCALE 1 / 2



D.O. Height =
Unit Dimension
- 7.753

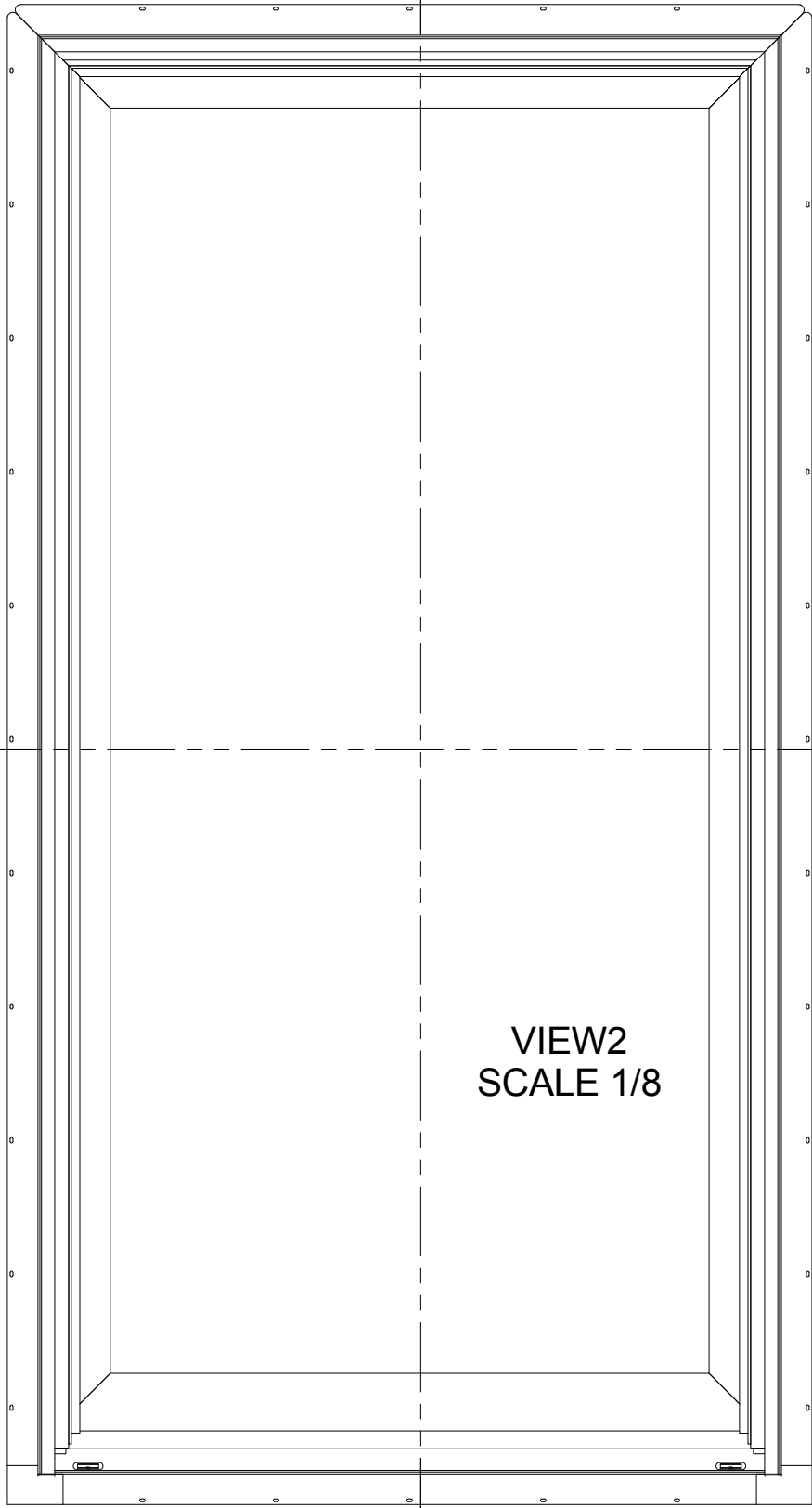
Sash Height =
Unit Height - 2.716

Unit Height =
Call Height + 2.563"

A

A

VIEW2
SCALE 1/8



B

1.188

Unit Width = Call Width + 1.375"

Sash Width = Unit Width - 1.570"

.595

2.434

.750

1.375

4.553

DLO = Unit Width - 6.490"

2.633

SECTION A-A
SCALE 1 / 2

1.375

1.200

1.200



Tolerances Unless Otherwise Specified. All Dimensions originate at sharp corners unless indicated.
 X.XXX ± 0.005, X.XX ± 0.015
 FRACTIONAL ± 1/64"
 ANGLES ± 1.0°
 FLATNESS ± 0.020 per ft.
 NOTE: BOXED/CIRCLED DIMS ARE CRITICAL

A	08-149	Initial Release	9-10-08	SAS	
REV.	ECO	REVISION	DATE	BY	

DWG. FILE NAME: EMRDHP1000.idw		
SCALE:	DRAWN BY: sstrachan	REV.
SHEET SIZE: B	DATE: 4/11/2008	A
DESCRIPTION: Cross-section, Double Hung, Stationary		

The information contained herein is PROPRIETARY to and considered a TRADE SECRET of Ply Gem Window Group, a Roanoke, VA based firm, and shall not be reproduced in whole or in part without the written authorization of Ply Gem Window Group.

4

3

2

1