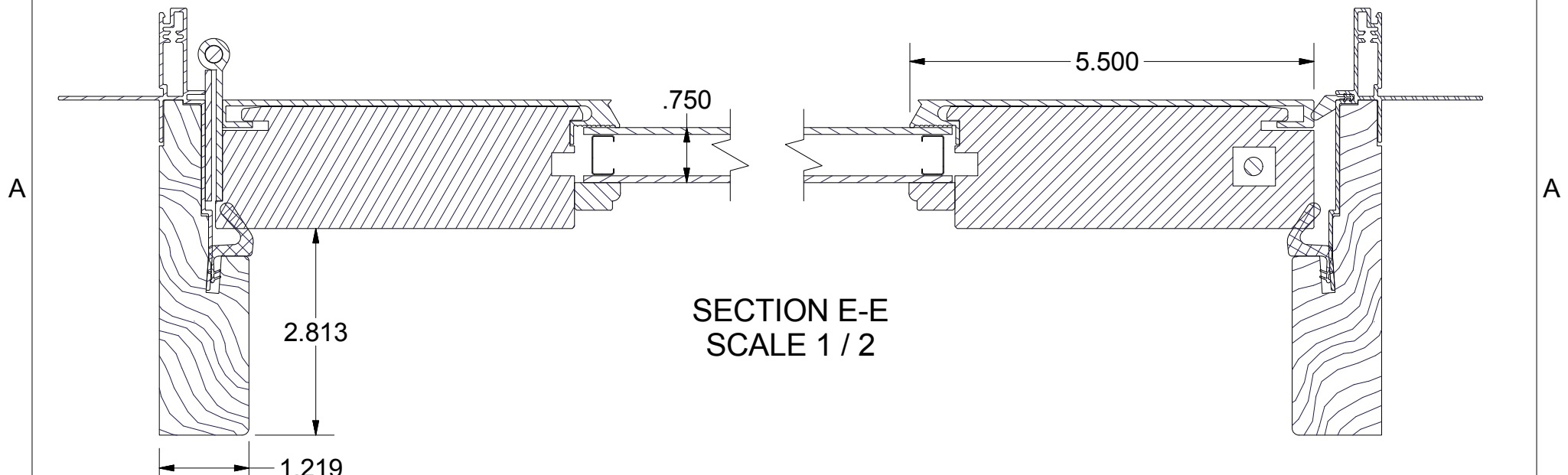


SECTION F-F
SCALE 1 / 2



SECTION E-E
SCALE 1 / 2



Tolerances Unless Otherwise Specified. All Dimensions originate at sharp corners unless indicated.
 X.XXX ± 0.005, X.XX ± 0.015
 FRACTIONAL ± 1/64"
 ANGLES ± 1.0°
 FLATNESS ± 0.020 per ft.
 NOTE: BOXED/CIRCLED DIMS ARE CRITICAL

B	NA	Added dimensions	1-3-16	SAS	
A	NA	Initial release	11-2-15	SAS	
REV.	ECO	REVISION	DATE	BY	

DWG. FILE NAME: EMROSHP1000.idw		
SCALE:	DRAWN BY: sstrachan	REV.
SHEET SIZE: B	DATE: 8/23/2010	B
DESCRIPTION: Section View, Outswing Single Door		

The information contained herein is PROPRIETARY to and considered a TRADE SECRET of Ply Gem Window Group, a Roanoke, VA based firm, and shall not be reproduced in whole or in part without the written authorization of Ply Gem Window Group.