

4

3

2

1

B

B

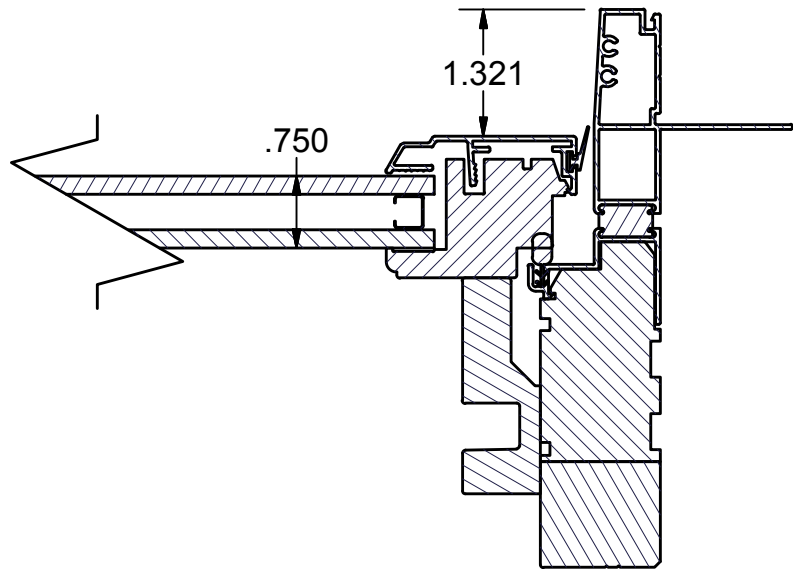
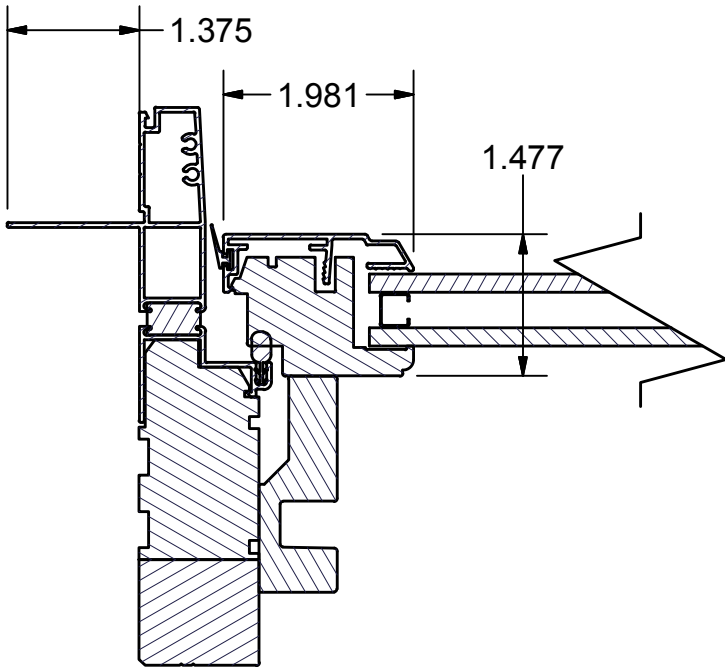
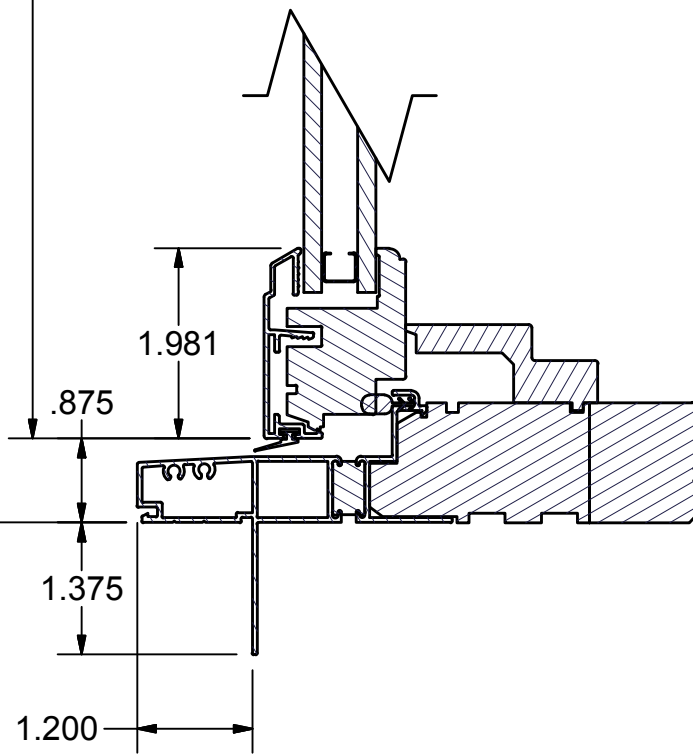
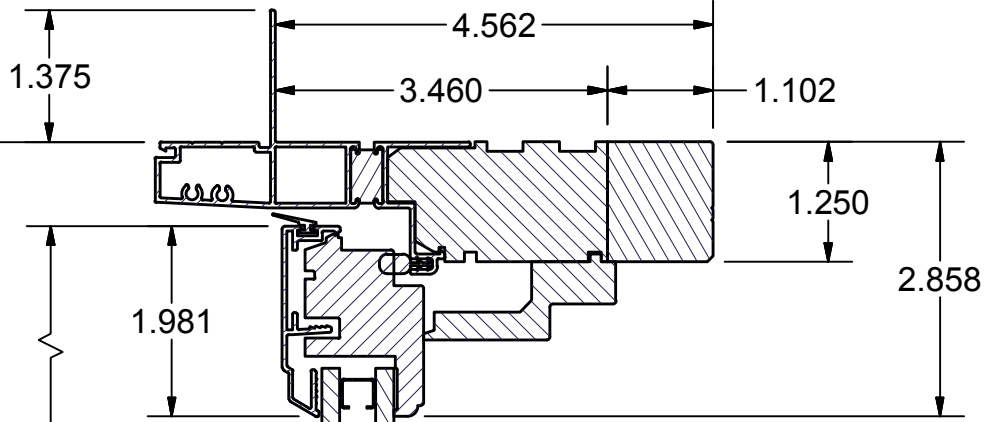
A

A

Unit Height Sash Height

SECTION B-B
SCALE 1/2

Unit Width



Tolerances Unless Otherwise Specified. All Dimensions originate at sharp corners unless indicated.
 X.XXX ± 0.005, X.XX ± 0.015
 FRACTIONAL ± 1/64"
 ANGLES ± 1.0°
 FLATNESS ± 0.020 per ft.
 NOTE: BOXED/CIRCLED DIMS ARE CRITICAL

The information contained herein is PROPRIETARY to and considered a TRADE SECRET of Ply Gem Window Group, a Cary, NC based firm, and shall not be reproduced in whole or in part without the written authorization of Ply Gem Window Group.

REV.	ECO	REVISION	DATE	BY

DWG. FILE NAME: EMRCAP1001.idw		
SCALE:	DRAWN BY: drider	REV.
SHEET SIZE: B	DATE: 8/11/2015	A
DESCRIPTION: Section View, Impact Casement Stationary		

4

3

2

1