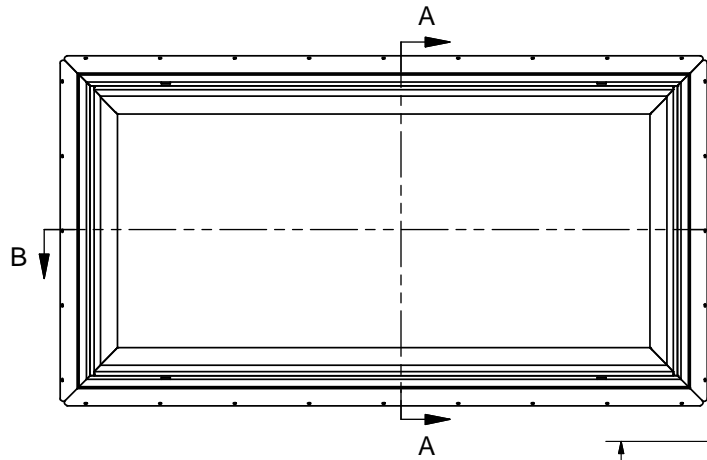
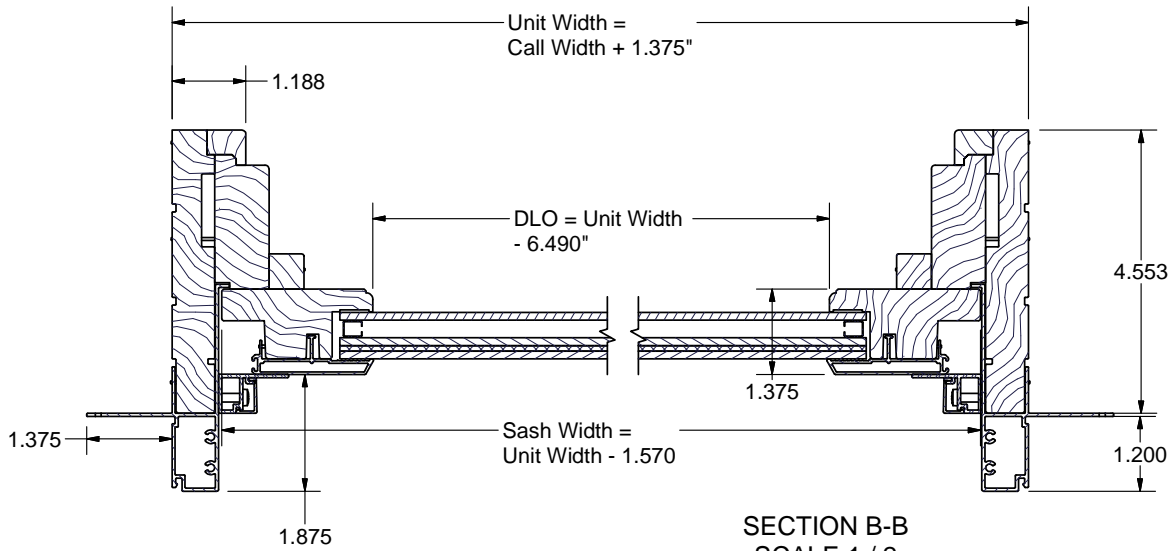
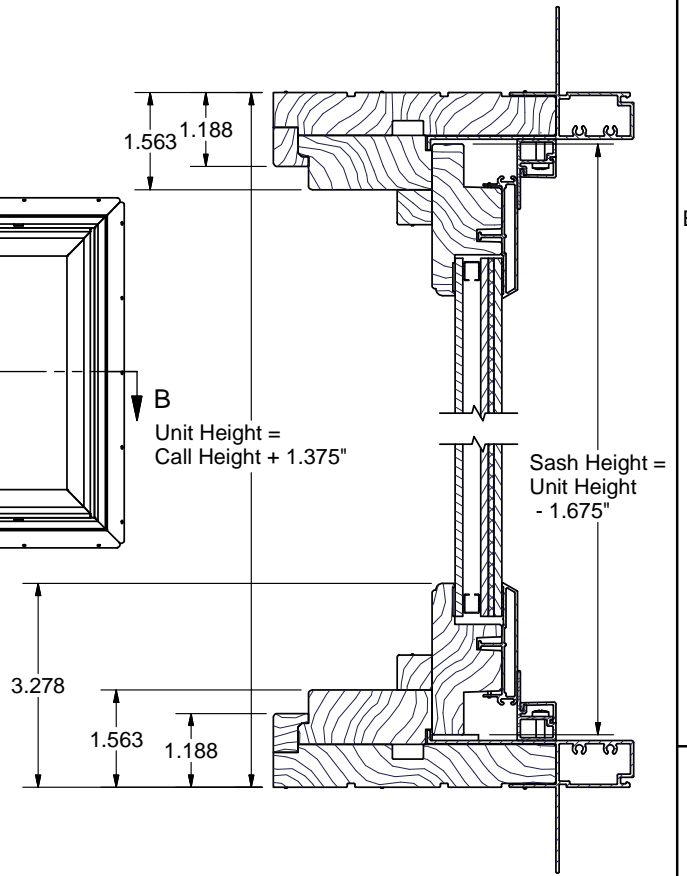


4 3 2 1

SECTION A-A  
SCALE 1 / 2



VIEW1  
SCALE 1/10



SECTION B-B  
SCALE 1 / 2



Tolerances Unless Otherwise Specified. All Dimensions originate at sharp corners unless indicated.  
 X.XXX ± 0.005, X.XX ± 0.015  
 FRACTIONAL ± 1/64"  
 ANGLES ± 1.0°  
 FLATNESS ± 0.020 per ft.  
 NOTE: BOXED/CIRCLED DIMS ARE CRITICAL

The information contained herein is PROPRIETARY to and considered a TRADE SECRET of Ply Gem Window Group, a Roanoke, VA based firm, and shall not be reproduced in whole or in part without the written authorization of Ply Gem Window Group.

DWG. FILE NAME: EMRDHTNI1000.idw		
SCALE:	DRAWN BY: rhall	REV.
SHEET SIZE: B	DATE: 7/9/2010	A
DESCRIPTION: Double Hung, Sash and Frame Transom, Impact, Section View		

A	10-192	Initial Release	10-20-10	RLH
REV.	ECO	REVISION	DATE	BY

4 3 2 1