

GLIDING WINDOWS

Table of Gliding (Sliding) Window Sizes

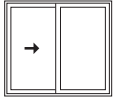
Scale 1/8" = 12" – 1:96

Exterior J-Channel Dimension	25"	37"	49"	51"	55"	61"	65"	73"
Window Dimension	24"	36"	48"	50"	54"	60"	64"	72"
Minimum Rough Opening	24 1/2"	36 1/2"	48 1/2"	50 1/2"	54 1/2"	60 1/2"	64 1/2"	72 1/2"
Unobstructed Glass (single sash only)	9 1/8"	15 1/8"	21 1/8"	22 1/8"	24 1/8"	27 1/8"	29 1/8"	33 1/8"

		CUSTOM WIDTHS – 16" to 52"							
CUSTOM HEIGHTS – 24" to 84"	20"								
	24"								
	36"								
	42"								
	44"								
	46"								
	48"								
	50"								
	52"								
	54"								
60"									

• "Window Dimension" always refers to inside frame to frame dimension.
 • "Minimum Rough Opening" dimensions may need to be increased to allow for use of building wraps, flashing, sill panning, brackets, fasteners or other items.
 ◊ Meet or exceed clear opening area of 5.7 sq.ft., clear opening width of 20" and clear opening height of 24".

Custom-size windows are available in 1/8" increments.



Active-Stationary

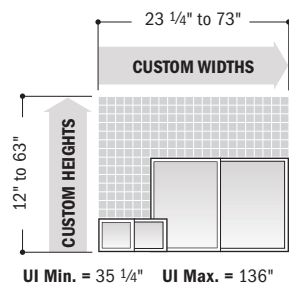
Gliding window includes a nailing flange and J-channel.

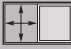

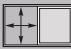
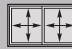
Grille pattern and number of lights varies with window size.

Custom Sizes & Specification Formulas

Available in 1/8" increments between minimum and maximum widths and heights shown. Some restrictions apply.

Gliding (Sliding) Windows



<p>Clear Opening</p> 	<p>Width = (window width + 2) - 5"</p> <p>Height = window height - 5.125"</p>	<p>Minimum R.O.</p> 	<p>Width = window width + 1/2"</p> <p>Height = window height + 1/2"</p>
<p>Vent Opening</p> 	<p>Width = (window width + 2) - 5"</p> <p>Height = window height - 5.125"</p>	<p>Unobstr. Glass</p> 	<p>Width = (window width + 2) - 2.875"</p> <p>Height = window height - 5"</p>

• **Clear Opening** formulas provide dimensions for determining area available for egress. **Vent Opening** formulas provide dimensions for determining area available for passage of air. **Minimum R.O.** (minimum rough opening) formulas provide minimum rough opening width and height dimensions. **Unobstr. Glass** (unobstructed glass) formulas provide dimensions for determining area available for passage of light.