

DOUBLE-HUNG WINDOWS

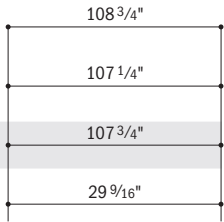
Table of Triple Double-Hung Window Sizes (Vinyl Market Sizing)

Scale 1/8" = 12" - 1:96

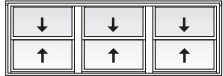
Exterior "J" Channel Dimension	54 3/4"	60 3/4"	72 3/4"	84 3/4"	90 3/4"	96 3/4"
Window Dimension	53 1/4"	59 1/4"	71 1/4"	83 1/4"	89 1/4"	95 1/4"
Minimum Rough Opening	53 3/4"	59 3/4"	71 3/4"	83 3/4"	89 3/4"	95 3/4"
Unobstructed Glass (lower sash only)	11 9/16"	13 9/16"	17 9/16"	21 9/16"	23 9/16"	25 9/16"

CUSTOM HEIGHTS - 30" to 76 3/4"	CUSTOM WIDTHS - 57 1/4" to 107 1/4"					
	57 1/4"	60 3/4"	72 3/4"	84 3/4"	90 3/4"	96 3/4"
37 1/2"	1630	1830	2030	2430	2630	2830
39 1/2"	1632	1832	2032	2432	2632	2832
45 1/2"	1638	1838	2038	2438	2638	2838
47 1/2"	16310	18310	20310	24310	26310	28310
49 1/2"	1640	1840	2040	2440	2640	2840
51 1/2"	1642	1842	2042	2442	2642	2842
53 1/2"	1644	1844	2044	2444	2644	2844
55 1/2"	1646	1846	2046	2446	2646	2846
61 1/2"	1650	1850	2050	2450	2650	2850
63 1/2"	1652	1852	2052	2452	2652	2852

- "Window Dimension" always refers to inside frame to frame dimension.
- "Minimum Rough Opening" dimensions may need to be increased to allow for use of building wraps, flashing, sill panning, brackets, fasteners or other items.



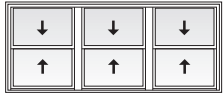
Custom-size windows are available in 1/4" increments.



3030



3032



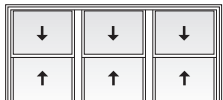
3038



30310



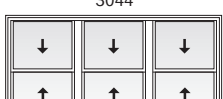
3040



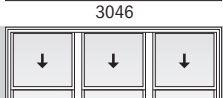
3042



3044



3046



3050



3052

Triple double-hung windows include a nailing flange and optional J-channel. Windows have one continuous frame.

Grille pattern and number of lights varies with window size.

- "Window Dimension" always refers to inside frame to frame dimension.
- **"Minimum Rough Opening" dimensions may need to be increased to allow for use of building wraps, flashing, sill panning, brackets, fasteners or other items.**
- ◊ Meet or exceed clear opening area of 5.7 sq.ft., clear opening width of 20" and clear opening height of 24".

DOUBLE-HUNG WINDOWS

Table of Triple Double-Hung Window Sizes

Scale 1/8" = 12" – 1:96

Exterior "J" Channel Dimension	54 3/4"	60 3/4"	72 3/4"	84 3/4"	90 3/4"	96 3/4"
Window Dimension	53 1/4"	59 1/4"	71 1/4"	83 1/4"	89 1/4"	95 1/4"
Minimum Rough Opening	53 3/4"	59 3/4"	71 3/4"	83 3/4"	89 3/4"	95 3/4"
Unobstructed Glass (lower sash only)	11 9/16"	13 9/16"	17 9/16"	21 9/16"	23 9/16"	25 9/16"

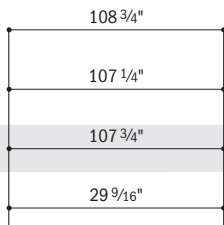
CUSTOM HEIGHTS – 30" to 76 3/4"	CUSTOM WIDTHS – 57 1/4" to 107 1/4"					
	57 1/4"	60 3/4"	72 3/4"	84 3/4"	90 3/4"	96 3/4"
67 1/2"						
	1656	1856	2056	2456	2656	2856
73 1/2"						
	1660	1860	2060	2460	2660	2860
75 1/2"						
	1662	1862	2062	2462	2662	2862

Custom-size windows are available in 1/4" increments.

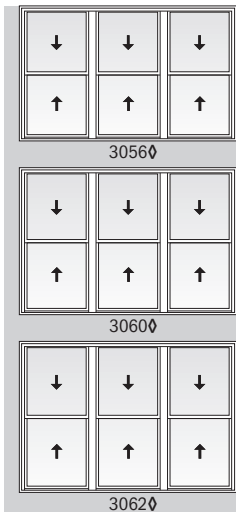
Triple double-hung windows include a nailing flange and optional J-channel. Windows have one continuous frame.

Grille pattern and number of lights varies with window size.

• "Window Dimension" always refers to inside frame to frame dimension.
 • "Minimum Rough Opening" dimensions may need to be increased to allow for use of building wraps, flashing, sill panning, brackets, fasteners or other items.
 ◊ Meet or exceed clear opening area of 5.7 sq.ft., clear opening width of 20" and clear opening height of 24".



Custom-size windows are available in 1/4" increments.



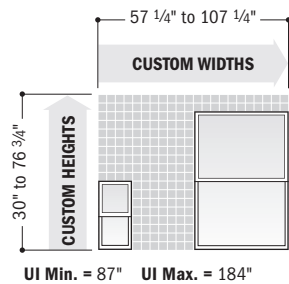
Triple double-hung windows include a nailing flange and optional J-channel. Windows have one continuous frame.

Grille pattern and number of lights varies with window size.



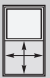
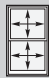
- "Window Dimension" always refers to inside frame to frame dimension.
- "Minimum Rough Opening" dimensions may need to be increased to allow for use of building wraps, flashing, sill panning, brackets, fasteners or other items.
- ◊ Meet or exceed clear opening area of 5.7 sq.ft., clear opening width of 20" and clear opening height of 24".

Custom Sizes & Specification Formulas

Triple Double-Hung Windows



Available in 1/4" increments between minimum and maximum widths and heights shown. Some restrictions apply.

Clear Opening 	Width = (window width + 3) - 3.563" Height = (window height + 2) - 4.063"	Minimum R.O. 	Width = window width + 1/2" Height = window height + 1/2"
Vent Opening 	Width = (window width + 3) - 3.563" Height = (window height + 2) - 4.063"	Unobstr. Glass 	Width = (window width + 3) - 6.188" Height = (window height + 2) - 3.188"

• **Clear Opening** formulas provide dimensions for determining area available for egress. **Vent Opening** formulas provide dimensions for determining area available for passage of air. **Minimum R.O.** (minimum rough opening) formulas provide minimum rough opening width and height dimensions. **Unobstr. Glass** (unobstructed glass) formulas provide dimensions for determining area available for passage of light.