



## Recommended Tools & Accessories

- Flathead Screw Driver
- Drill and  $\frac{3}{8}$ " Metal Drill Bit
- Safety Glasses
- Gloves

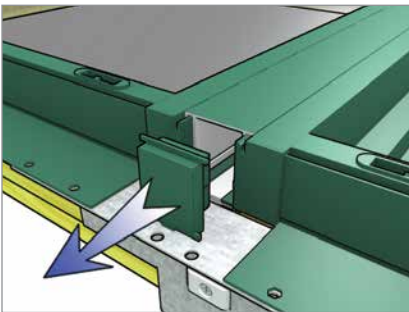
## Mullstrip Removal

For Architectural Series Aluminum-Clad Wood Windows

### **IMPORTANT! READ ALL INSTRUCTIONS BEFORE BEGINNING INSTALLATION.**

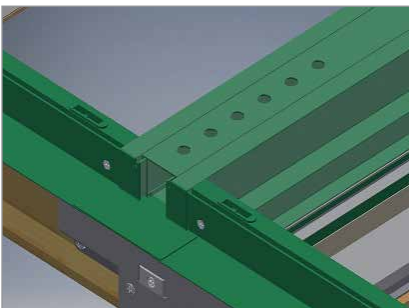


Should the need arise to remove the mullstrip, these instructions explain how to perform this task without damaging the window units. In this process, you will destroy the mullstrip and mull end caps and all affected mull conditions must be replaced.



### **Step 1:**

Remove the end caps as shown by prying the cap straight out and away from the end of the mull profile. (This cap is often secured with a small amount of silicone sealant.) Note how the cap is oriented and how the cap aligns with the accessory kerf on the face of the window frame. Place a light pencil mark on the face of the window profile at each end of the old mull strip to help you center the replacement mull strip during installation.

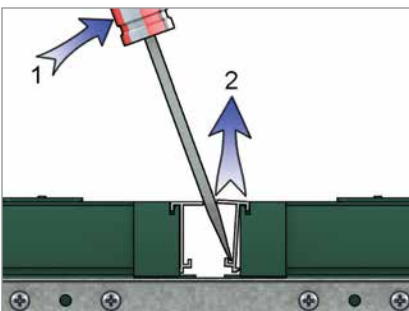


### **Step 2:**

Using a drill and  $\frac{3}{8}$ " metal drill bit, begin by drilling a hole in the center of the mull trim, within approximately  $\frac{3}{4}$ " of the end of the mull where the cap was removed.

### **Caution: Drill Only Through The Exterior Layer Of Aluminum!**

Perform this task 5 more times with each hole being placed approximately 1" on center to the next. Once this is complete, you should have a series of (6)  $\frac{3}{8}$ " holes in a row as shown.



### **Step 3:**

Using the Flat Head Screwdriver, Insert it into the first hole closest to the end and engage the tip into the upturned leg of the mull strip being removed, and pry it toward the center of the mull area. Do this on the opposite side also, then continue to the next hole performing this same task through all 6 holes.

Once this is complete reposition your screwdriver into one of the center holes and pry the mull strip straight out away from the window. Caution should be taken as this is being done to ensure that the mull strip doesn't disengage quickly causing you to lose control of the mull strip or your balance.

Clean all old sealant from both the interior kerf and exterior kerf areas as this will hinder the engagement of the replacement mull strip as it is being installed.